

OFFICIAL VERSION

UOG Graduation

Sunday, May 21, 2023
 2:00pm, UOG Calvo Field House
 Field House Arena Capacity: 3,000
 Students: 309
 Guests (Students', VIPs): 2,472
 Employees: 150
 Volunteers (11 Crowd Managers): 30
 Total Occupants (est): 2,961

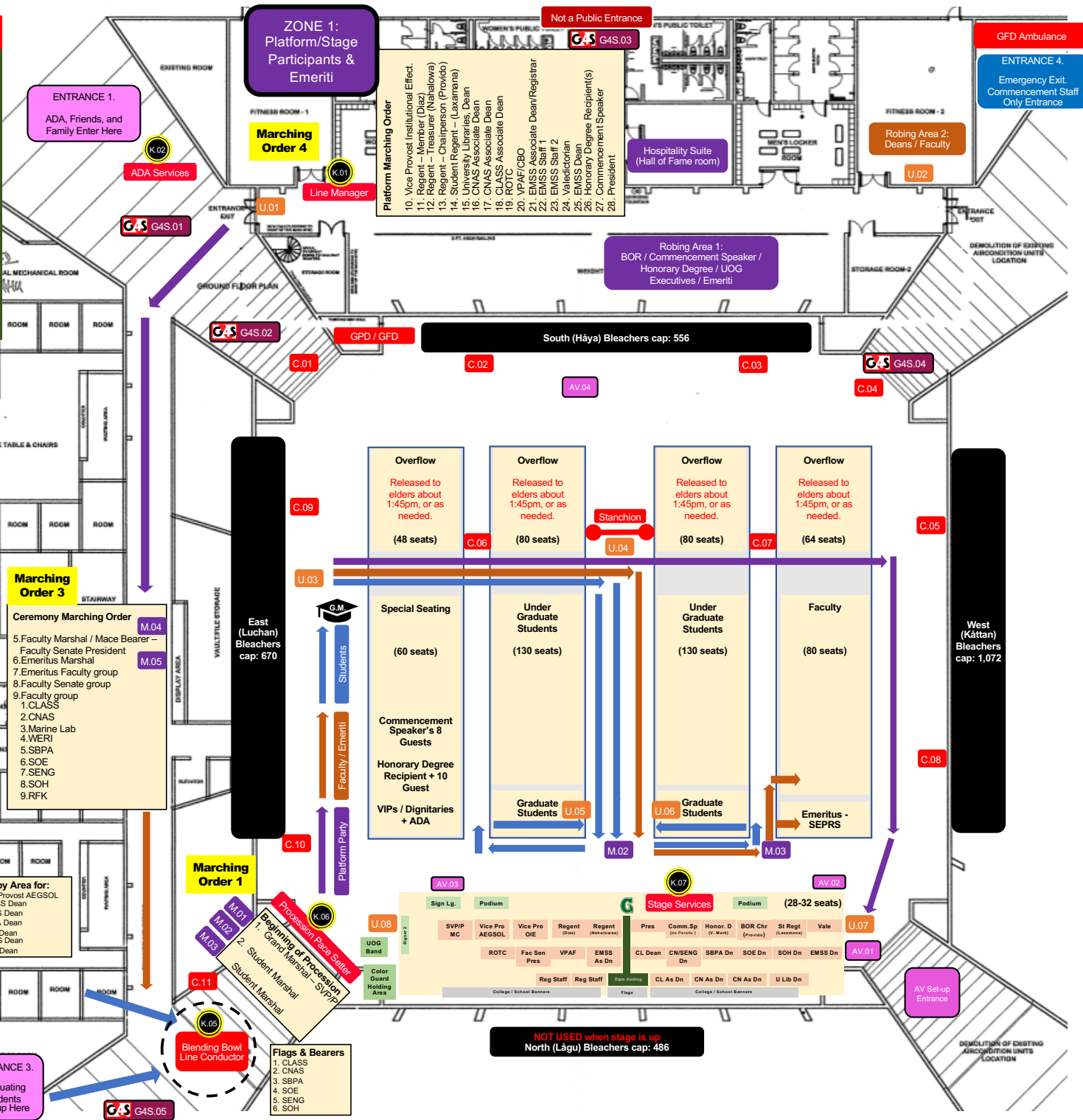


Key to Zones

- ZONE 1:** Platform/Stage Participants & Emeriti
- ZONE 2:** Faculty, Deans
- ZONE 3:** Graduating Students

Key for Support Staff

- K.#** Key Personnel
- M.#** Marshal
- U.#** Usher
- C.#** Crowd Managers (Per GFD, 1 CM per 250 persons)
- G4S G4S.#** Contract Security w/ UOG emp. (Not all positions are staffed at same time)



ZONE 2: Faculty, Deans

- Student Line Coordinator**
- Assistant
 - Assistant
 - Assistant

- Marching Order 2**
- Student Line-up by number from Assembly Area
- Graduate Students
 - CLAS
 - SBPA
 - UOG Band
 - SOH

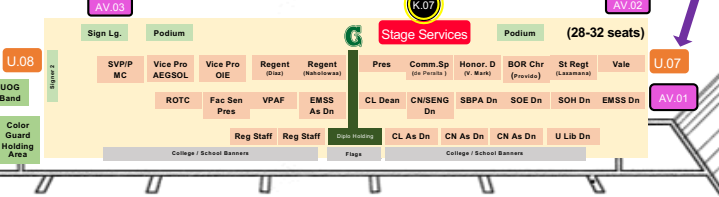
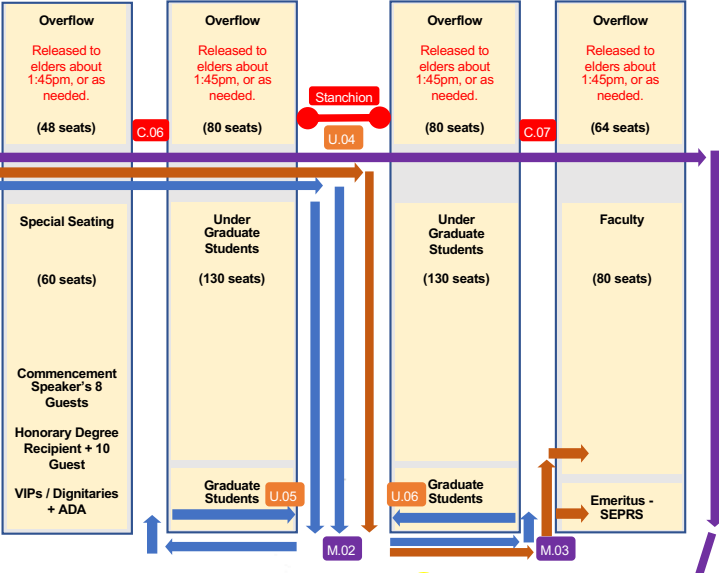
- ZONE 3: Graduating Students**

- Marching Order 3**
- Ceremony Marching Order**
5. Faculty Marshal / Mace Bearer – Faculty Senate President
 6. Emeritus Marshal
 7. Emeritus Faculty group
 8. Faculty Senate group
 9. Faculty group
 1. CLASS
 2. CNAS
 3. Marine Lab
 4. WERI
 5. SBPA
 6. SOE
 7. SENG
 8. SOH
 9. RFK

- Standby Area for:**
- Vice Provost AEGSOL
 - CLASS Dean
 - CNAS Dean
 - SBPA Dean
 - SOE Dean
 - SENG Dean
 - SOH Dean

- Flags & Bearers**
- CLASS
 - CNAS
 - SBPA
 - SOE
 - SENG
 - SOH

- Platform Marching Order**
10. Vice Provost Institutional Effect.
 11. Regent – Member (Daza)
 12. Regent – Treasurer (Nahalowa)
 13. Regent – Chairperson (Provide)
 14. Student Regent – (Laxamana)
 15. University Libraries, Dean
 16. CNAS Associate Dean
 17. CNAS Associate Dean
 18. CLASS Associate Dean
 19. ROTC
 20. VP/AF/CBO
 21. EMSS Associate Dean/Registrar
 22. EMSS Staff 1
 23. EMSS Staff 2
 24. EMSS Dean
 25. Valledonian
 26. Honorary Degree Recipient(s)
 27. Commencement Speaker
 28. President

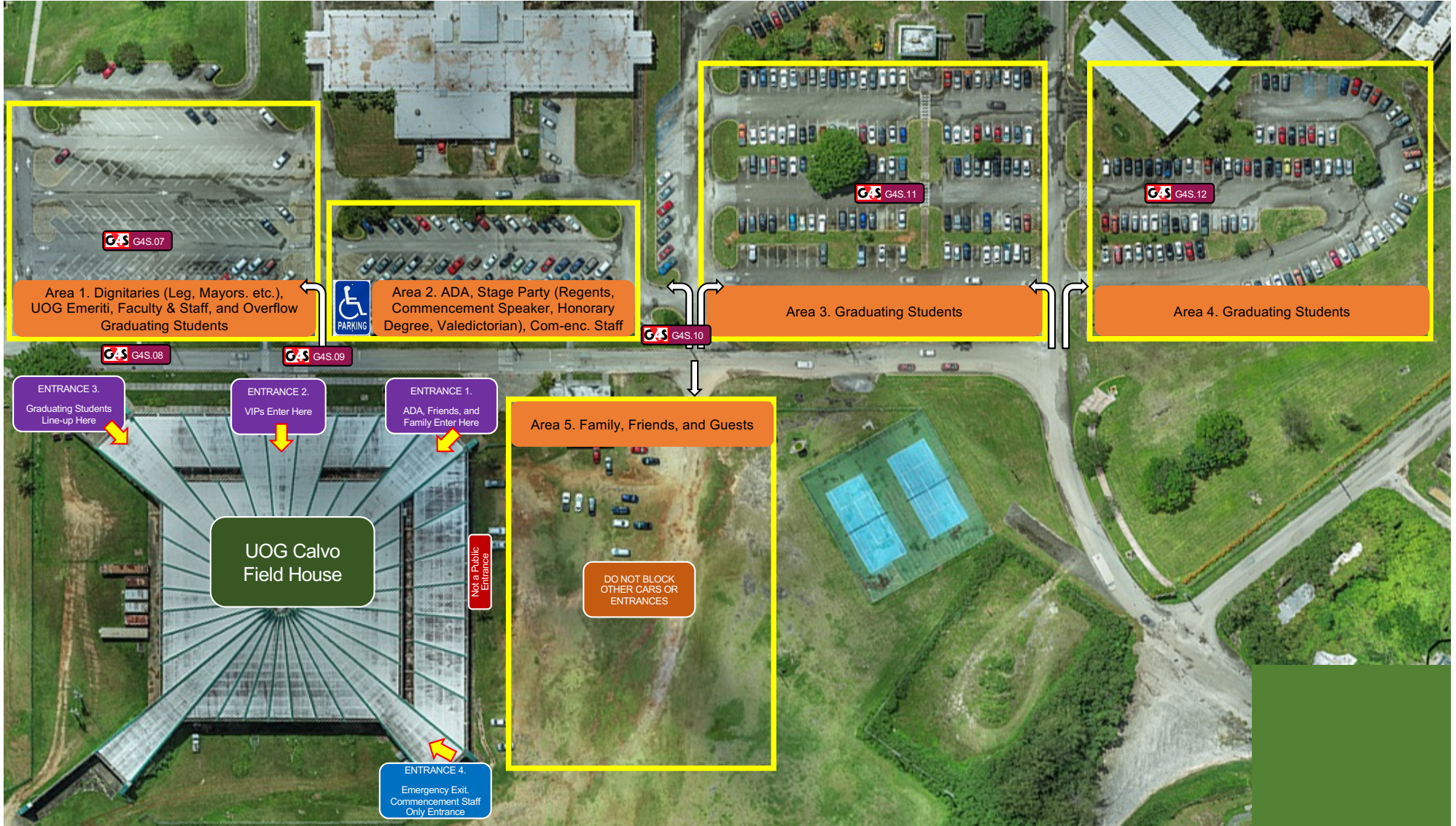


NOT USED when stage is up
 North (Lágu) Bleachers cap: 486

UOG Graduation Parking

Sunday, May 21, 2023

2:00pm, UOG Calvo Field House



G4S G4S.07

Area 1. Dignitaries (Leg, Mayors. etc.), UOG Emeriti, Faculty & Staff, and Overflow Graduating Students



Area 2. ADA, Stage Party (Regents, Commencement Speaker, Honorary Degree, Valedictorian), Com-enc. Staff

G4S G4S.11

Area 3. Graduating Students

G4S G4S.12

Area 4. Graduating Students

G4S G4S.10

Area 5. Family, Friends, and Guests

DO NOT BLOCK OTHER CARS OR ENTRANCES

ENTRANCE 3.

Graduating Students Line-up Here

ENTRANCE 2.

VIPs Enter Here

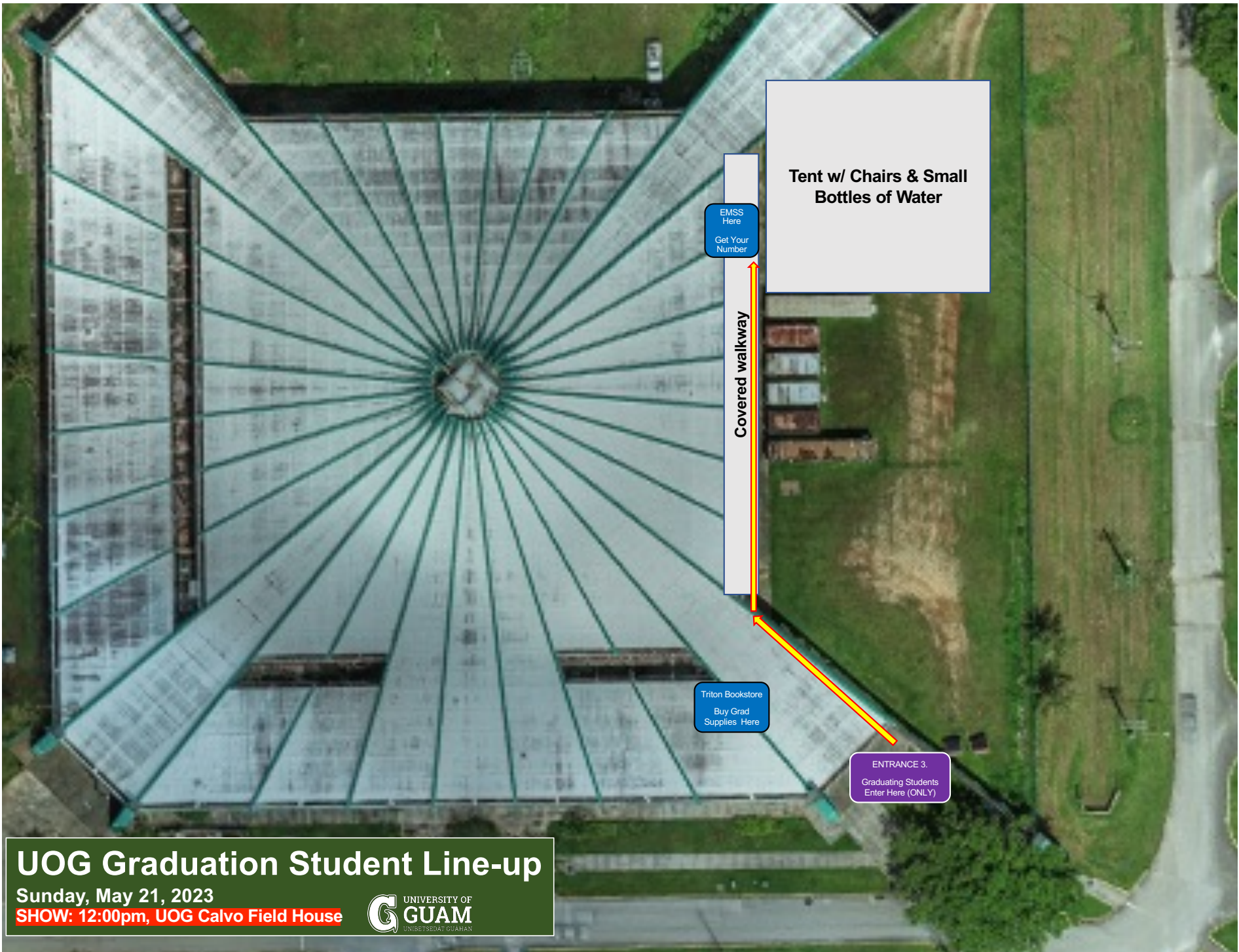
ENTRANCE 1.

ADA, Friends, and Family Enter Here

UOG Calvo Field House

Not a Public Entrance

ENTRANCE 4.
Emergency Exit,
Commencement Staff
Only Entrance



Tent w/ Chairs & Small Bottles of Water

EMSS Here
Get Your Number

Covered walkway

Triton Bookstore
Buy Grad Supplies Here

ENTRANCE 3.
Graduating Students
Enter Here (ONLY)

UOG Graduation Student Line-up
Sunday, May 21, 2023
SHOW: 12:00pm, UOG Calvo Field House

